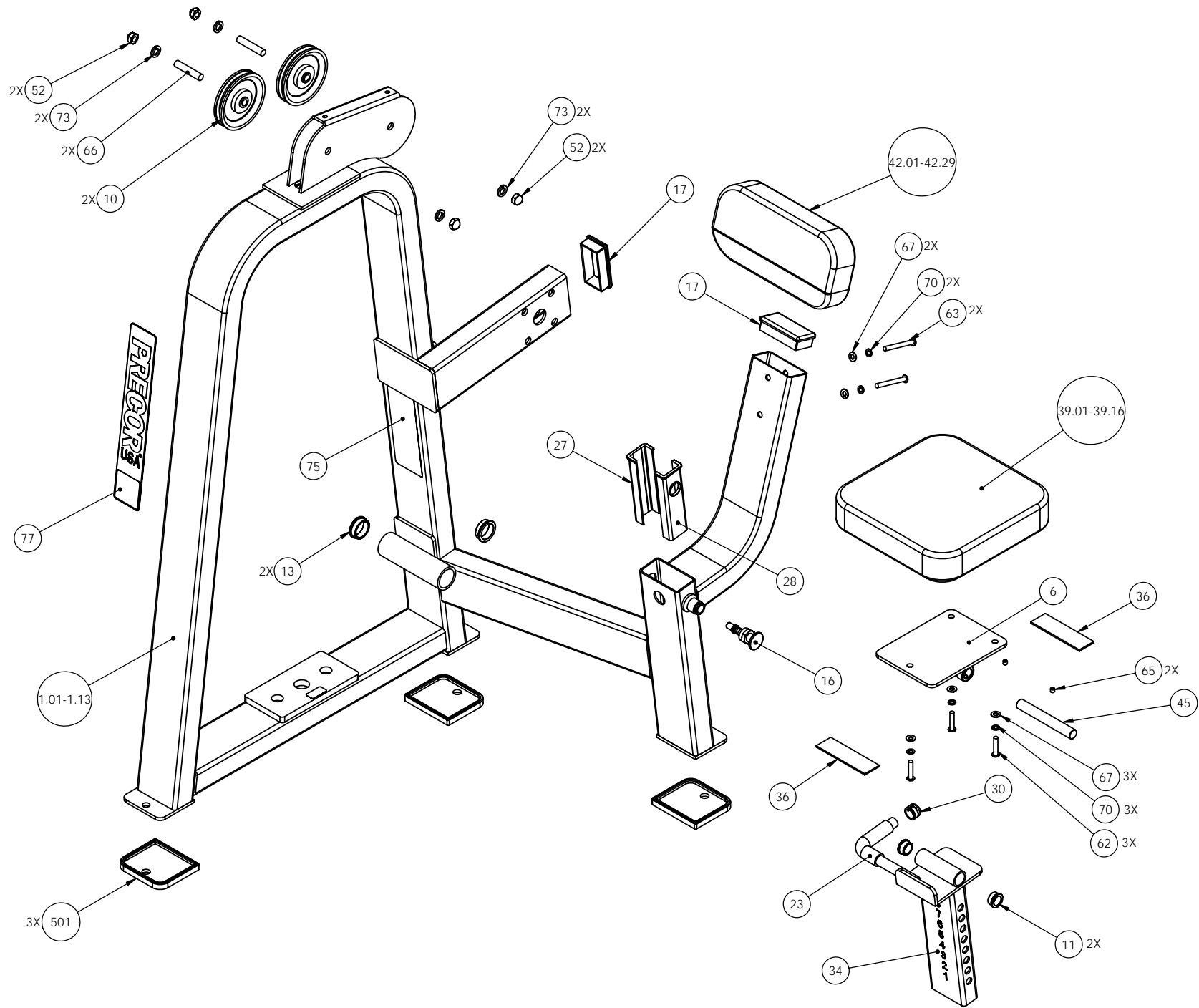
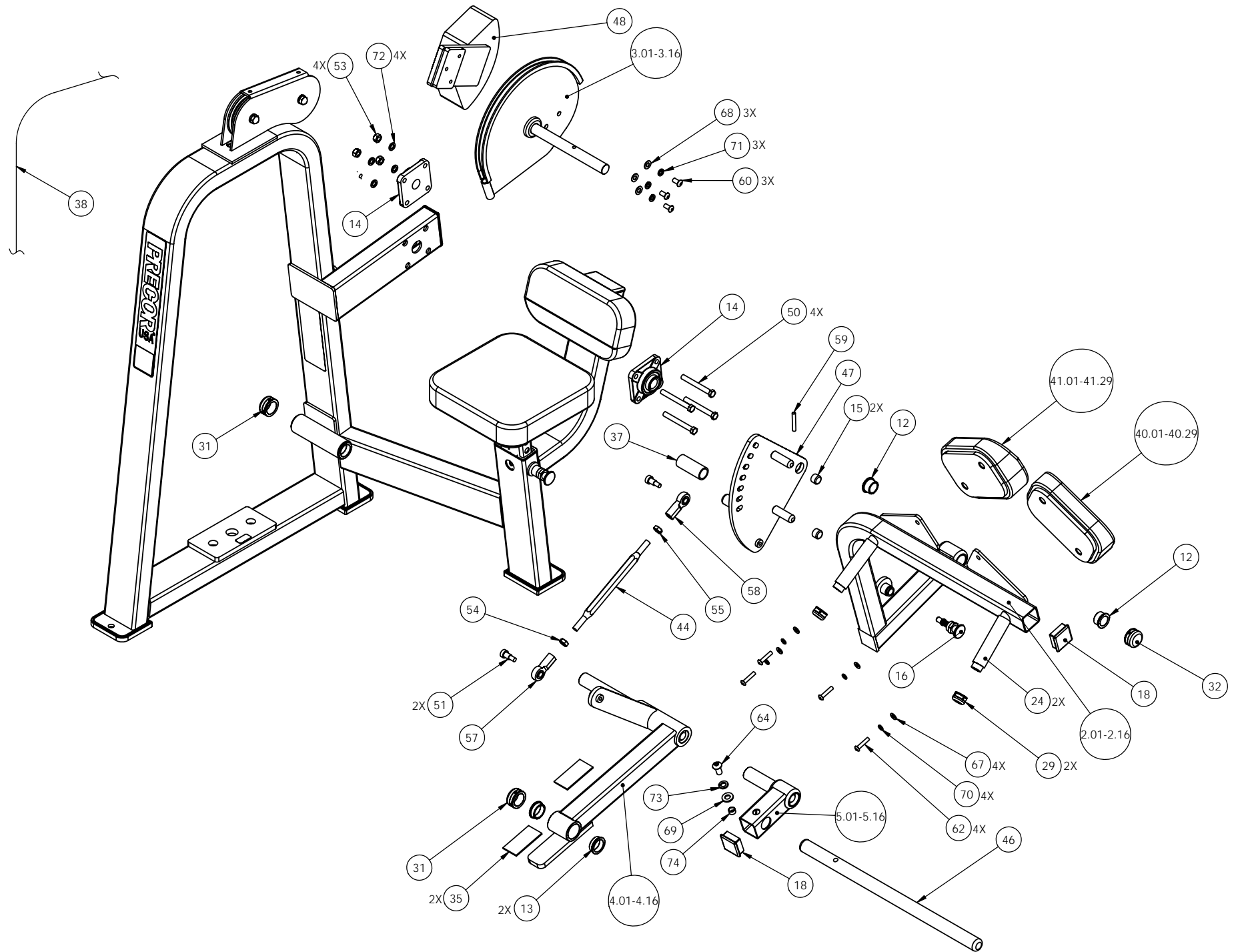


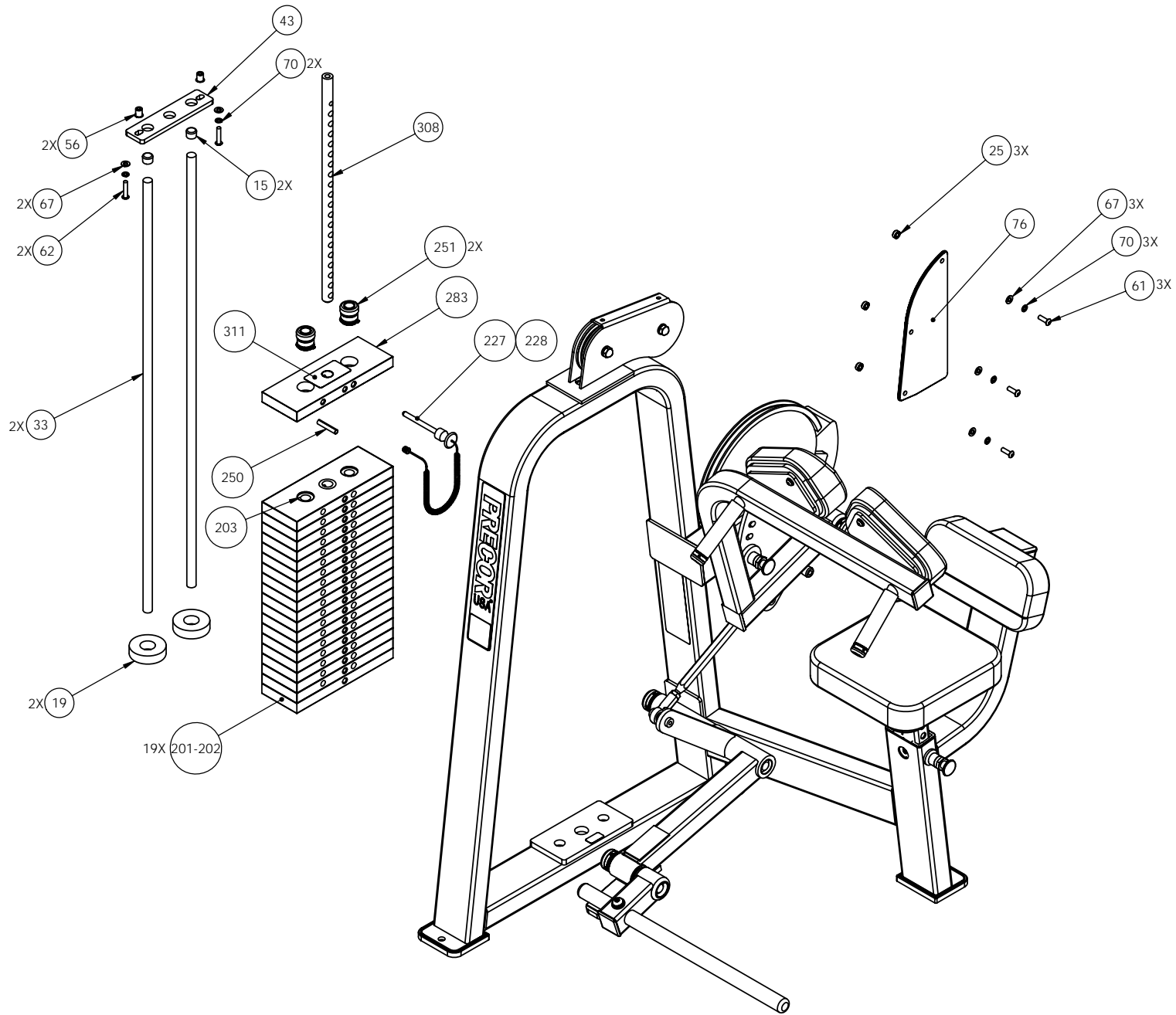
712	P/N : CW31346-101	SUBREV : A02
DRAWN BY : CT	DATE : 09.16.05	SHEET 1 OF 4



712	P/N : CW31346-101	SUBREV : A02
DRAWN BY : CT	DATE : 09.16.05	SHEET 2 OF 4



712	P/N : CW31346-101	SUBREV : A02
DRAWN BY : CT	DATE : 09.16.05	SHEET 3 OF 4



712	P/N : CW31346-101	SUBREV : A02
DRAWN BY : CT	DATE : 09.16.05	SHEET 4 OF 4

712 Abdominal Isolator

Part Number	Description	Bubble Number
CW712SA1-211	ASSY,FRAME,MAIN,712,SKY WHITE	1.01
CW712SA1-221	ASSY,FRAME,MAIN,712,BLACK	1.02
CW712SA1-231	ASSY,FRAME,MAIN,712,RED	1.03
CW712SA1-241	ASSY,FRAME,MAIN,712,PLAT SPRKLE	1.04
CW712SA1-251	ASSY,FRAME,MAIN,712,SILVER	1.05
CW712SA1-261	ASSY,FRAME,MAIN,712,BLUE	1.06
CW712SA1-271	ASSY,FRAME,MAIN,712,CHARCOAL	1.07
CW712SA1-281	ASSY,FRAME,MAIN,712,CATH GRAY	1.08
CW712SA1-291	ASSY,FRAME,MAIN,712,SILVER VIEN	1.09
CW712SA1-311	ASSY,FRAME,MAIN,712,STONE HG	1.11
CW712SA1-312	ASSY,FRAME,MAIN,712,STONE HG	1.11
CW712SA1-321	ASSY,FRAME,MAIN,712,TITANIUM HG	1.12
CW712SA1-331	ASSY,FRAME,MAIN,712,WHITE GLOSS	1.13
CW712SA1-341	ASSY,FRAME,MAIN,712,BLACK ONYX	1.14
CW712SA1-351	ASSY,FRAME,MAIN,712,LT. BRONZE	1.15
CW712SA1-361	ASSY,FRAME,MAIN,712,SAPPHIRE BL	1.16
CW712SA2-211	ASSY,ARM,UPPER,712,SKY WHITE	2.01
CW712SA2-221	ASSY,ARM,UPPER,712,BLACK	2.02
CW712SA2-231	ASSY,ARM,UPPER,712,RED	2.03
CW712SA2-241	ASSY,ARM,UPPER,712,PLAT SPKLE	2.04
CW712SA2-251	ASSY,ARM,UPPER,712,SILVER	2.05
CW712SA2-261	ASSY,ARM,UPPER,712,BLUE	2.06
CW712SA2-271	ASSY,ARM,UPPER,712,CHARCOAL	2.07
CW712SA2-281	ASSY,ARM,UPPER,712,CATH GRY	2.08
CW712SA2-291	ASSY,ARM,UPPER,712,SILVER VIEN	2.09
CW712SA2-311	ASSY,ARM,UPPER,712, STONE HG	2.11
CW712SA2-321	ASSY,ARM,UPPER,712,TITANIUM HG	2.12
CW712SA2-331	ASSY,ARM,UPPER,712, WHITE GLOSS	2.13
CW712SA2-341	ASSY,ARM,UPPER,712,BLACK ONYX	2.14
CW712SA2-351	ASSY,ARM,UPPER,712,LIGHT BRONZE	2.15
CW712SA2-361	ASSY,ARM,UPPER,712,SAPPHIRE BLUE	2.16
CW712SA3-211	ASSY,CAM,712,SKY WHITE	3.01
CW712SA3-221	ASSY,CAM,712,BLACK	3.02
CW712SA3-231	ASSY,CAM,712,RED	3.03
CW712SA3-241	ASSY,CAM,712,PLATINUM SPRKL	3.04
CW712SA3-251	ASSY,CAM,712,SILVER	3.05
CW712SA3-261	ASSY,CAM,712,BLUE	3.06
CW712SA3-271	ASSY,CAM,712,CHARCOAL	3.07
CW712SA3-281	ASSY,CAM,712,CATHEDRAL GREY	3.08
CW712SA3-291	ASSY,CAM,712,SILVER VIEN	3.09
CW712SA3-311	ASSY,CAM,712,STONE HG	3.11
CW712SA3-321	ASSY,CAM,712,TITANIUM HG	3.12
CW712SA3-331	ASSY,CAM,712,WHITE GLOSS	3.13
CW712SA3-341	ASSY,CAM,712,BLACK ONYX	3.14
CW712SA3-351	ASSY,CAM,712,LIGHT BRONZE	3.15
CW712SA3-361	ASSY,CAM,712,SAPPHIRE BLUE	3.16
CW712SA4-211	ASSY,FOOT REST,712,SKY WHITE	4.01
CW712SA4-221	ASSY,FOOT REST,712,BLACK	4.02
CW712SA4-231	ASSY,FOOT REST,712,RED	4.03

CW712SA4-241	ASSY,FOOT REST,712,PLATINUM SPRKL	4.04
CW712SA4-251	ASSY,FOOT REST,712,SILVER	4.05
CW712SA4-261	ASSY,FOOT REST,712,BLUE	4.06
CW712SA4-271	ASSY,FOOT REST,712,CHARCOAL	4.07
CW712SA4-281	ASSY,FOOT REST,712,CATHEDRAL GREY	4.08
CW712SA4-291	ASSY,FOOT REST,712,SILVER VIEN	4.09
CW712SA4-311	ASSY,FOOT REST,712,STONE HG	4.11
CW712SA4-321	ASSY,FOOT REST,712,TITANIUM HG	4.12
CW712SA4-331	ASSY,FOOT REST,712,WHITE GLOSS	4.13
CW712SA4-341	ASSY,FOOT REST,712,BLACK ONYX	4.14
CW712SA4-351	ASSY,FOOT REST,712,LIGHT BRONZE	4.15
CW712SA4-361	ASSY,FOOT REST,712,SAPPHIRE BLUE	4.16
CW712SA5-211	ASSY,FOOTBAR ADJ LINK,712,SKY WHITE	5.01
CW712SA5-221	ASSY,FOOTBAR ADJ LINK,712,BLACK	5.02
CW712SA5-231	ASSY,FOOTBAR ADJ LINK,712,RED	5.03
CW712SA5-241	ASSY,FOOTBAR ADJ LINK,712,PLATINUM	5.04
CW712SA5-251	ASSY,FOOTBAR ADJ LINK,712,SILVER	5.05
CW712SA5-261	ASSY,FOOTBAR ADJ LINK,712,BLUE	5.06
CW712SA5-271	ASSY,FOOTBAR ADJ LINK,712,CHARCOAL	5.07
CW712SA5-281	ASSY,FOOTBAR ADJ LINK,712,CATHEDRAL	5.08
CW712SA5-291	ASSY,FOOTBAR ADJ LINK,712,SILVER VI	5.09
CW712SA5-311	ASSY,FOOTBAR ADJ LINK,712,STONE HG	5.11
CW712SA5-321	ASSY,FOOTBAR ADJ LINK,712,TITANIUM	5.12
CW712SA5-331	ASSY,FOOTBAR ADJ LINK,712,WHITE GLO	5.13
CW712SA5-341	ASSY,FOOTBAR ADJ LINK,712,BLACK ONY	5.14
CW712SA5-351	ASSY,FOOTBAR ADJ LINK,712,LIGHT BRO	5.15
CW712SA5-361	ASSY,FOOTBAR ADJ LINK,712,SAPPHIRE	5.16
CW712SA6-721	ASSY, PAD PIVOT, 712, WRINKLE BLACK	6
CWAC1009-101	PULLEY, 4 1/2 DIA. X 1/2 ID	10
CW10043-133	BUSHING, BRONZE, 3/4" ID X 1" OD	11
CW10043-134	BUSHING, BRONZE, 1" ID X 1 1/4" OD	12
CW10043-135	BUSHING, BRONZE, 1 1/4" ID X 1 1/2"	13
CW12405-101	PILLOW BLOCK, BEARING, FLANGE, 4 BO	14
CW12404-101	CAP, GUIDE ROD,DIA 3/4, BLK	15
CW30165-751	ASSY, POP PIN, 0.450 DIA HANDLE, B	16
CW11311-102	ENDCAP, REC TUBE, 2X4, BLK PLASTIC	17
CW11311-103	ENDCAP, REC TUBE, 2X2, BLK PLASTIC	18
CW12402-101	BUMPER, WEIGHT STACK, BLK RUBBER	19
CWGR2505-000	GRIP,RUBBER,3/4" DIA, 5"	23
CWGR2605-000	GRIP,RUBBER, 1" DIA, 5"	24
CWAC1228-901	SPACER, ALU,.328 ID X .625 OD X .25	25
CWAC1236-101	GUIDE INSERT, PLASTIC WITHOUT HOLE,	27
CWAC1236-102	GUIDE INSERT, PLASTIC WITH HOLE, BL	28
CWAC218-901	HANDLE END CAP W/SET SCREWS, DIA 1"	29
CWAC220-901	HANDLE END CAP W/SET SCREWS, DIA 3/	30
CWAC221-901	SHAFT END CAP W/SET SCREWS, DIA 1 1	31
CWAC222-901	ASSY, SHAFT END CAP W/SET SCREWS, D	32
CWPF1212-711	GUIDE ROD, 3/4 X 42 5/8 (#4), CHM	33
CW30489-711	ASSY, SWIVELING SEAT ADJUSTMENT,8 H	34
CW32216-711	ASSEMBLY, SEAT ADJUSTMENT SWIVELING	34
CW30012-104	CUT PIECE, ABS BLACK, 1/8 X 1 3/4 X	35

CW30012-101	CUT PIECE, ABS, 1/8, 1 1/2 X 5, BLA	36
CWGR2603-000	GRIP,RUBBER, 1" DIA.,3"	37
CWCLGH066-625	ASSY, CABLE, 204, 712	38
CWPD1111B-101	PAD,12X12,3HOLES,W/BP,BLACK	39.01
CWPD1111B-102	PAD,12X12,3HOLES,W/BP,RYL BL	39.02
CWPD1111B-103	PAD,12X12,3HOLES,W/BP,DV GRY	39.03
CWPD1111B-104	PAD,12X12,3HOLES,W/BP,CROCUS	39.04
CWPD1111B-105	PAD,12X12,3HOLES,W/BP,GROTTO	39.05
CWPD1111B-106	PAD,12X12,3HOLES,W/BP,GRPHTE	39.06
CWPD1111B-107	PAD,12X12,3HOLES,W/BP,RED	39.07
CWPD1111B-108	PAD,12X12,3HOLES,W/BP,CH GRN	39.08
CWPD1111B-109	PAD,12X12,3HOLES,W/BP,TURQSE	39.09
CWPD1111B-110	PAD,12X12,3HOLES,W/BP,RASP	39.1
CWPD1111B-111	PAD,12X12,3HOLES,W/BP,PLUM	39.11
CWPD1111B-112	PAD,12X12,3HOLES,W/BP,REGMNT	39.12
CWPD1111B-113	PAD,12X12,3HOLES,W/BP,SP BLUE	39.13
CWPD1111B-115	PAD,12X12,3HOLES,W/BP,BLK LTH	39.15
CWPD1111B-116	PAD,12X12,3HOLES,W/BP,NB LTH	39.16
CWPD1111B-117	PAD,12X12,3HOLES,W/BP,PUTTY	39.17
CWPD1111B-118	PAD,12X12,3HOLES,W/BP,IMPRL BLUE	39.18
CWPD1111B-119	PAD,12X12,3HOLES,W/BP,YEW GREEN	39.19
CWPD1111B-120	PAD,12X12,3HOLES,W/BP,DUSTY JADE	39.2
CWPD1111B-121	PAD,12X12,3HOLES,W/BP,TERRA COTTA	39.21
CWPD1111B-122	PAD,12X12,3HOLES,W/BP,PAPRIKA	39.22
CWPD1111B-123	PAD,12X12,3HOLES,W/BP,ASH LTHR	39.23
CWPD1111B-124	PAD,12X12,3HOLES,W/BP,CERULEAN LTHR	39.24
CWPD1111B-126	PAD,12X12,3HOLES,W/BP,HUNTER LTHR	39.25
CWPD1111B-126	PAD,12X12,3HOLES,W/BP,HUNTER LTHR	39.26
CWPD1111B-127	PAD,12X12,3HOLES,W/BP,MOSS LTHR	39.27
CWPD1111B-128	PAD,12X12,3HOLES,W/BP,SPICE LTHR	39.28
CWPD1111B-129	PAD,12X12,3HOLES,W/BP,TOMATO LTHR	39.29
CWPD1122LB-101	PAD,6X9,2HLS,LEFT,W/BP,BLACK	40.01
CWPD1122LB-102	PAD,6X9,2HLS,LEFT,W/BP,RYL BL	40.02
CWPD1122LB-103	PAD,6X9,2HLS,LEFT,W/BP,DVE GRY	40.03
CWPD1122LB-104	PAD,6X9,2HLS,LEFT,W/BP,CROCUS	40.04
CWPD1122LB-105	PAD,6X9,2HLS,LEFT,W/BP,GROTTO	40.05
CWPD1122LB-106	PAD,6X9,2HLS,LEFT,W/BP,GRAPHITE	40.06
CWPD1122LB-107	PAD,6X9,2HLS,LEFT,W/BP,RED	40.07
CWPD1122LB-108	PAD,6X9,2HLS,LEFT,W/BP,CHN GRN	40.08
CWPD1122LB-109	PAD,6X9,2HLS,LEFT,W/BP,TURQSE	40.09
CWPD1122LB-110	PAD,6X9,2HLS,LEFT,W/BP,RASP	40.1
CWPD1122LB-111	PAD,6X9,2HLS,LEFT,W/BP,PLUM	40.11
CWPD1122LB-112	PAD,6X9,2HLS,LEFT,W/BP,REGIMENT	40.12
CWPD1122LB-113	PAD,6X9,2HLS,LEFT,W/BP,SPC BLUE	40.13
CWPD1122LB-115	PAD,6X9,2HLS,LEFT,W/BP,BLK LTHR	40.15
CWPD1122LB-116	PAD,6X9,2HLS,LEFT,W/BP,NVBL LTH	40.16
CWPD1122LB-117	PAD,6X9,2HLS,LEFT,W/BP,PUTTY	40.17
CWPD1122LB-118	PAD,6X9,2HLS,LEFT,W/BP,IMPRL BL	40.18
CWPD1122LB-119	PAD,6X9,2HLS,LEFT,W/BP,YEW GRN	40.19
CWPD1122LB-120	PAD,6X9,2HLS,LEFT,W/BP,DSTY JD	40.2
CWPD1122LB-121	PAD,6X9,2HLS,LEFT,W/BP,TER COT	40.21

CWPD1122LB-122	PAD,6X9,2HLS,LEFT,W/BP,PAPRIKA	40.22
CWPD1122LB-123	PAD,6X9,2HLS,LEFT,W/BP,ASH LTHR	40.23
CWPD1122LB-124	PAD,6X9,2HLS,LEFT,W/BP,CERULEAN LTH	40.24
CWPD1122LB-126	PAD,6X9,2HLS,LEFT,W/BP,HUNTER LTHR	40.25
CWPD1122LB-126	PAD,6X9,2HLS,LEFT,W/BP,HUNTER LTHR	40.26
CWPD1122LB-127	PAD,6X9,2HLS,LEFT,W/BP,MOSS LTHR	40.27
CWPD1122LB-128	PAD,6X9,2HLS,LEFT,W/BP,SPICE LTHR	40.28
CWPD1122LB-129	PAD,6X9,2HLS,LEFT,W/BP,TOMATO LTHR	40.29
CWPD1122RB-101	PAD,6X9,2HLS,RIGHT,W/BP,BLACK	41.01
CWPD1122RB-102	PAD,6X9,2HLS,RIGHT,W/BP,RYL BL	41.02
CWPD1122RB-103	PAD,6X9,2HLS,RIGHT,W/BP,DVE GRY	41.03
CWPD1122RB-104	PAD,6X9,2HLS,RIGHT,W/BP,CROCUS	41.04
CWPD1122RB-105	PAD,6X9,2HLS,RIGHT,W/BP,GROTTO	41.05
CWPD1122RB-106	PAD,6X9,2HLS,RIGHT,W/BP,GRAPHITE	41.06
CWPD1122RB-107	PAD,6X9,2HLS,RIGHT,W/BP,RED	41.07
CWPD1122RB-108	PAD,6X9,2HLS,RIGHT,W/BP,CHN GRN	41.08
CWPD1122RB-109	PAD,6X9,2HLS,RIGHT,W/BP,TURQSE	41.09
CWPD1122RB-110	PAD,6X9,2HLS,RIGHT,W/BP,RASP	41.1
CWPD1122RB-111	PAD,6X9,2HLS,RIGHT,W/BP,PLUM	41.11
CWPD1122RB-112	PAD,6X9,2HLS,RIGHT,W/BP,REGIMENT	41.12
CWPD1122RB-113	PAD,6X9,2HLS,RIGHT,W/BP,SPC BLUE	41.13
CWPD1122RB-115	PAD,6X9,2HLS,RIGHT,W/BP,BLK LTHR	41.15
CWPD1122RB-116	PAD,6X9,2HLS,RIGHT,W/BP,NVBL LTH	41.16
CWPD1122RB-117	PAD,6X9,2HLS,RIGHT,W/BP,PUTTY	41.17
CWPD1122RB-118	PAD,6X9,2HLS,RIGHT,W/BP,IMPRL BL	41.18
CWPD1122RB-119	PAD,6X9,2HLS,RIGHT,W/BP,YEW GRN	41.19
CWPD1122RB-120	PAD,6X9,2HLS,RIGHT,W/BP,DSTY JD	41.2
CWPD1122RB-121	PAD,6X9,2HLS,RIGHT,W/BP,TER COT	41.21
CWPD1122RB-122	PAD,6X9,2HLS,RIGHT,W/BP,PAPRIKA	41.22
CWPD1122RB-123	PAD,6X9,2HLS,RIGHT,W/BP,ASH LTHR	41.23
CWPD1122RB-124	PAD,6X9,2HL,RIGHT,W/BP,CERULEAN LTH	41.24
CWPD1122RB-126	PAD,6X9,2HLS,RIGHT,W/BP,HUNTER LTHR	41.25
CWPD1122RB-126	PAD,6X9,2HLS,RIGHT,W/BP,HUNTER LTHR	41.26
CWPD1122RB-127	PAD,6X9,2HLS,RIGHT,W/BP,MOSS LTHR	41.27
CWPD1122RB-128	PAD,6X9,2HLS,RIGHT,W/BP,SPICE LTHR	41.28
CWPD1122RB-129	PAD,6X9,2HLS,RIGHT,W/BP,TOMATO LTHR	41.29
CWPD1123B-101	PAD,6X12,2HOLES,W/BP,BLACK	42.01
CWPD1123B-102	PAD,6X12,2HOLES,W/BP,RYL BL	42.02
CWPD1123B-103	PAD,6X12,2HOLES,W/BP,DVE GRY	42.03
CWPD1123B-104	PAD,6X12,2HOLES,W/BP,CROCUS	42.04
CWPD1123B-105	PAD,6X12,2HOLES,W/BP,GROTTO	42.05
CWPD1123B-106	PAD,6X12,2HOLES,W/BP,GRAPHITE	42.06
CWPD1123B-107	PAD,6X12,2HOLES,W/BP,RED	42.07
CWPD1123B-108	PAD,6X12,2HOLES,W/BP,CHN GRN	42.08
CWPD1123B-109	PAD,6X12,2HOLES,W/BP,TURQSE	42.09
CWPD1123B-110	PAD,6X12,2HOLES,W/BP,RASP	42.1
CWPD1123B-111	PAD,6X12,2HOLES,W/BP,PLUM	42.11
CWPD1123B-112	PAD,6X12,2HOLES,W/BP,REGIMENT	42.12
CWPD1123B-113	PAD,6X12,2HOLES,W/BP,SPC BLUE	42.13
CWPD1123B-115	PAD,6X12,2HOLES,W/BP,BLK LTHR	42.15
CWPD1123B-116	PAD,6X12,2HOLES,W/BP,NVBL LTH	42.16

CWPD1123B-117	PAD,6X12,2HOLES,W/BP,PUTTY	42.17
CWPD1123B-118	PAD,6X12,2HOLES,W/BP,IMPRL BL	42.18
CWPD1123B-119	PAD,6X12,2HOLES,W/BP,YEW GRN	42.19
CWPD1123B-120	PAD,6X12,2HOLES,W/BP,DSTY JD	42.2
CWPD1123B-121	PAD,6X12,2HOLES,W/BP,TER COT	42.21
CWPD1123B-122	PAD,6X12,2HOLES,W/BP,PAPRIKA	42.22
CWPD1123B-123	PAD,6X12,2HOLES,W/BP,ASH LTHR	42.23
CWPD1123B-124	PAD,6X12,2HOLES,W/BP,CERULEAN LTHR	42.24
CWPD1123B-125	PAD,6X12,2HOLES,W/BP,CHARCOAL LTHR	42.25
CWPD1123B-126	PAD,6X12,2HOLES,W/BP,HUNTER LTHR	42.26
CWPD1123B-127	PAD,6X12,2HOLES,W/BP,MOSS LTHR	42.27
CWPD1123B-128	PAD,6X12,2HOLES,W/BP,SPICE LTHR	42.28
CWPD1123B-129	PAD,6X12,2HOLES,W/BP,TOMATO LTHR	42.29
CWPF1016-731	BAR,,FLAT CR/HR, 3/8 X 2 X 8 1/4, 3	43
CWPF1136-731	LINK ARM, 11", W/ THRD ENDS, 712, B	44
CWPF1366-731	BAR,STEEL,RND,DIA.745"X(51/2),BLK Z	45
CW31359-721	ASSY, RANGE LIMITER, WRKL BLK	47
CWSA1506-721	WELDMENT, COUNTER WEIGHT, 3" THK, W	48
CW30103-200	WEIGHT STACK,200 LBS,MTP-S,19 X 10	49
CWHCYN044-375	SCREW, HEX HEAD , BLK XYLA	50
CWRANN038-063	BOLT, SHOULDER, 3/8-16 X 1/2 X 5/8	51
CWKADLN050-081	NUT, ACORN, 1/2-13	52
CWKMYN044-038	NUT, HEX, UNC, 7/16-14, BLK XYLAN	53
CWKBEYN050-031	NUT, HEX, THIN, LEFT HAND THREAD,	54
CWKRYN050-031	NUT, HEX THIN, UNF, 1/2-20, BLK XYL	55
CW12537-109	NUT,INSERT,THIN-NUT,LARGE FLANGE	56
CWCLFA1063-741	ROD END, FEMALE, STEEL, ZINC, CAD,	57
CWCLFA1064-741	ROD END, FEMALE, STEEL, ZINC, CAD,	58
CWLDNN031-200	PIN, ROLL, DIA 5/16 X 2.00	59
CWTAYN038-075	SCREW, BUTTON HEAD, BLK XYLAN, 3/8	60
CWTAYN031-100	SCREW, BUTTON HEAD, BLK XYLAN, 5/1	61
CWTAYN031-150	SCREW, BUTTON HEAD, BLK XYLAN,5/16	62
CWTAYN031-300	SCREW, BUTTON HEAD, BLK XYLAN,5/16	63
CWTAYN050-100	SCREW, BUTTON HEAD, BLK XYLAN, 1/2	64
CWEANN031-031	SCREW, SET, SCKT, CUP POINT, 5/16-1	65
CWBFNN050-250	STUD, 1/2-13 X 2 1/2	66
CWWBKN031-007	WASHER, FLAT, TYPE A, SAE, 5/16 ID	67
CWWBKN038-007	WASHER, FLAT, TYPE A, SAE, 3/8 ID	68
CWWBKN050-010	WASHER, FLAT, TYPE A, SAE, 1/2 ID X	69
CWWALYN031-008	WASHER, SPLIT, 5/16 ID, BL	70
CWWALYN038-009	WASHER, SPLIT, 3/8 ID, BLK XYLAN	71
CW12634-101	SPRING, TORSION 90 DEG X 0.484 X 0.	72
CWWALYN044-011	WASHER, SPLIT, 7/16 ID, BLK XYLAN	72
CW31770-742	LATCH PIVOTING PIN, CLR ZN	73
CWWALYN050-013	WASHER, SPLIT, 1/2 ID, BLK XYLAN	73
CWAMNN028-003	RING, RETAINING, 2-TURN, SPIRAL, SS	74
CWFA1123-901	SPACER, STEEL,5/8 OD X 1/2 ID X 3/8	74
CW30010-101	LABEL,WARNING STRENGTH	75
CW30155-101	ASSY, LABEL,INSTRUCTION,712	76
CW31756-101	LABEL, PRECOR USA ICARIAN LINE	77
CW31784-731	STOP PLUG, BLK ZN	78

CW10510-721	ASSY, PLATE, WEIGHT, 10 LBS, WRKL B	201
CW10520-721	ASSY, PLATE, WEIGHT, 20 LBS, WRKL B	202
CWAC1133-101	BUSHING, WEIGHT PLATE, LDPE PLASTIC	203
CW30172-751	ASSY, 4.00 IN WEIGHT STACK PIN AND	227
CW30173-751	ASSY, 6.00 IN WEIGHT STACK PIN AND	228
CWLDNN038-200	PIN, ROLL, DIA 3/8 X 2	250
CW30184-901	ASSY,BARREL, TOP PLATE,ALUMINUM	251
CW10550-722	PLATE, WEIGHT, MED TOP (MTP-S), 10	283
CW30132-711	SELECTOR STEM, 20 PLATE,0 .875 DIA,	308
CW30011-101	LABEL,WARNING WEIGHT STACK	311
CW12401-106	LABEL, WEIGHT PLATE, 20 LBS/ 8 KG	319
CW12401-110	LABEL, WEIGHT PLATE, 30 LBS/ 13.6 K	323
CW12401-114	LABEL, WEIGHT PLATE, 40 LBS/ 18.2 K	327
CW12401-118	LABEL, WEIGHT PLATE, 50 LBS/ 22.7 K	331
CW12401-120	LABEL, WEIGHT PLATE, 60 LBS/ 27.3 K	333
CW12401-122	LABEL, WEIGHT PLATE, 70 LBS/ 31.8 K	335
CW12401-124	LABEL, WEIGHT PLATE, 80 LBS/ 36.4 K	337
CW12401-126	LABEL, WEIGHT PLATE, 90 LBS/ 40.9 K	339
CW12401-128	LABEL, WEIGHT PLATE, 100 LBS/ 45.5	341
CW12401-129	LABEL, WEIGHT PLATE, 110 LBS/ 50 KG	342
CW12401-130	LABEL, WEIGHT PLATE, 120 LBS/ 54.6	343
CW12401-131	LABEL, WEIGHT PLATE, 130 LBS/ 59.1	344
CW12401-132	LABEL, WEIGHT PLATE, 140 LBS/ 63.6	345
CW12401-133	LABEL, WEIGHT PLATE, 150 LBS/ 68.2	346
CW12401-134	LABEL, WEIGHT PLATE, 160 LBS/ 72.7	347
CW12401-135	LABEL, WEIGHT PLATE, 170 LBS/ 77.3	348
CW12401-136	LABEL, WEIGHT PLATE, 180 LBS/ 81.8	349
CW12401-137	LABEL, WEIGHT PLATE, 190 LBS/ 86.4	350
CW12401-138	LABEL, WEIGHT PLATE, 200 LBS/ 90.9	351
CW12401-139	LABEL, WEIGHT PLATE, 210 LBS/ 95.5	352
CW12401-141	LABEL, WEIGHT PLATE, 230 LBS/ 104.6	354
CW12401-143	LABEL, WEIGHT PLATE, 250 LBS/ 113.6	356
CW12537-109	NUT,INSERT,THIN-NUT,LARGE FLANGE	400
CW30126-101	LABEL,VINYL, PRECOR, 3.25 X 18.0	401
CWPF3143-211	SHROUD,SHEET,STEEL,3/32 THICK,4 BEN	402.01
CWPF3143-221	SHROUD,SHEET,STEEL,3/32 THICK,4 BEN	402.02
CWPF3143-231	SHROUD,SHEET,STEEL,3/32 THICK,4 BEN	402.03
CWPF3143-241	SHROUD,SHEET,STEEL,3/32 THICK,4 BEN	402.04
CWPF3143-251	SHROUD,SHEET,STEEL,3/32 THICK,4 BEN	402.05
CWPF3143-261	SHROUD,SHEET,STEEL,3/32 THICK,4 BEN	402.06
CWPF3143-271	SHROUD,SHEET,STEEL,3/32 THICK,4 BEN	402.07
CWPF3143-281	SHROUD,SHEET,STEEL,3/32 THICK,4 BEN	402.08
CWPF3143-291	SHROUD,SHEET,STEEL,3/32 THICK,4 BEN	402.09
CWPF3143-311	SHROUD,SHEET,STEEL,3/32 THICK,4 BEN	402.11
CWPF3143-321	SHROUD,SHEET,STEEL,3/32 THICK,4 BEN	402.12
CWPF3143-331	SHROUD,SHEET,STEEL,3/32 THICK,4 BEN	402.13
CWPF3143-341	SHROUD,SHEET,STEEL,3/32 THICK,4 BEN	402.14
CWPF3143-351	SHROUD,SHEET,STEEL,3/32 THICK,4 BEN	402.15
CWPF3143-361	SHROUD,SHEET,STEEL,3/32 THICK,4 BEN	402.16
CWPF3143-711	SHROUD,SHEET,STEEL,3/32 THICK,4 BEN	402.17
CWPF3144-721	SHROUD BRKT,PLATE,STEEL,1/8 THICK,1	403

CWPF3145-721	SHROUD BRKT,PLATE,STEEL,1/8 THICK,2	404
CWTAYN031-100	SCREW, BUTTON HEAD, BLK XYLAN, 5/1	405
CWWALYN031-008	WASHER, SPLIT, 5/16 ID, BL	406
CWWBKN031-007	WASHER, FLAT, TYPE A, SAE, 5/16 ID	407
CWAC1177-101	FLOOR PROTECTOR, RUBBER, 4.563 X 4.	501